

D6-5-808-500

Key features

Invisible Light $\lambda = 808\text{nm}$
Output Power = 500mW
Package Type = 5.6mm Φ

Applications

General Purpose Infrared Laser Light Source
Medical Application & Infrared Laser Module for Industry Application
Solid State Laser Pumping of Green Laser & High Power Engineering Instruments

Electrical and Optical Characteristics at $T_c=25^\circ\text{C}$

Item	Symbols	Min.	Typ.	Max.	Unit	Condition
Optical Output Power	Po	-	500	-	mW	-
Threshold Current	Ith	-	120	-	mA	Po=500mW
Operating Current	Iop	-	540	-	mA	Po=500mW
Differential Efficiency	SE	0.8	1.2	-	mW/mA	Po=500mW
Operating Voltage	Vop	-	1.9	2.1	V	Po=500mW
Peak Wavelength	λ_p	805	808	811	nm	Po=500mW
Beam Divergence	$\theta_{//}$	-	8	11	deg	Po=500mW
	θ_{\perp}	-	39	48	deg	Po=500mW
Beam Deviation Angle	$\Delta\theta_{//}$	-3	-	3	deg	Po=500mW
	$\Delta\theta_{\perp}$	-3	-	3	deg	Po=500mW

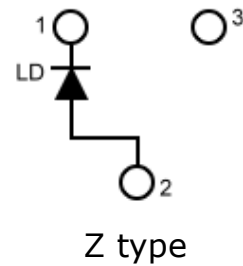
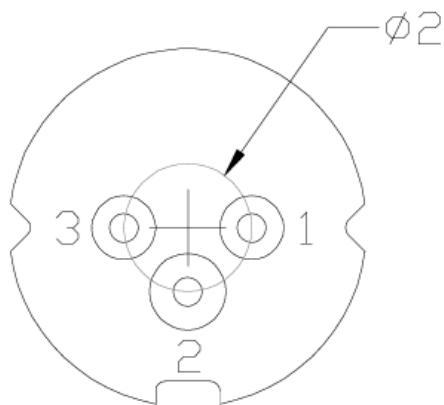
EGISMOS IR Laser Diode

Absolute Maximum Rating at Tc=25°C

Items	Symbols	Values	Unit
Optical Output Power	Po(CW)	510	mW
Laser Diode Reverse Voltage	V	2	V
Operating Temperature	To	-10~+50	°C
Storage Temperature	Ts	-40~+85	°C

Electrical Connection

Package Type



EGISMOS IR Laser Diode

Package Drawing

